

AVIATOR FAN INTERFACE MODULE



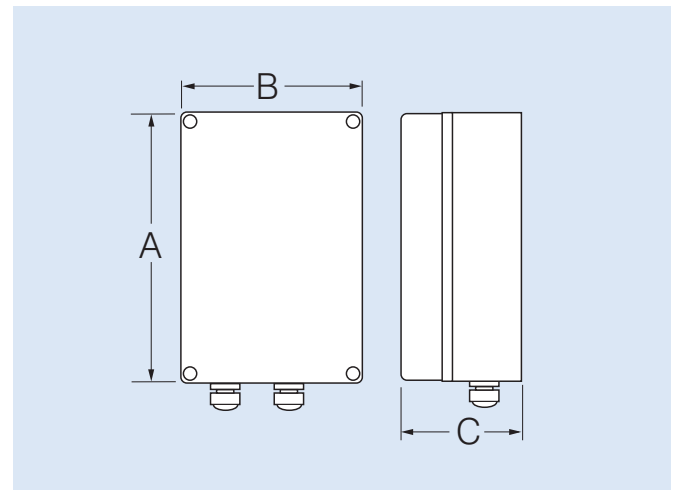
DESCRIPTION

The Aviator Fan Interface Module is designed to add smarts to a basic analogue EC fan. It enables up to 50 analogue controlled EC fans to be connected to the Aviator Max or Mini controllers utilising Modbus RTU connectivity. Each fan can be individually speed controlled with RPM status and fault feedback. This module can also have two sensors connected using 4-20mA/0-10Vdc sensors directly.

Features

- Communication Protocol: Modbus RTU
- Analog Output: 0-10Vdc fan 1 & 2 control
- Digital Input (Tacho input): fan 1 & 2 monitoring
- Analog Input for 2 sensors
- Power supply included to power the interface and 2 sensors

DIMENSIONS



Model Number	Dimensions, mm			Kit includes
	A	B	C	
DCV-CU-FCPSU	220	150	100	Fan Interface module with DIN rail, power supply and glands factory fitted in an IP55 junction box.